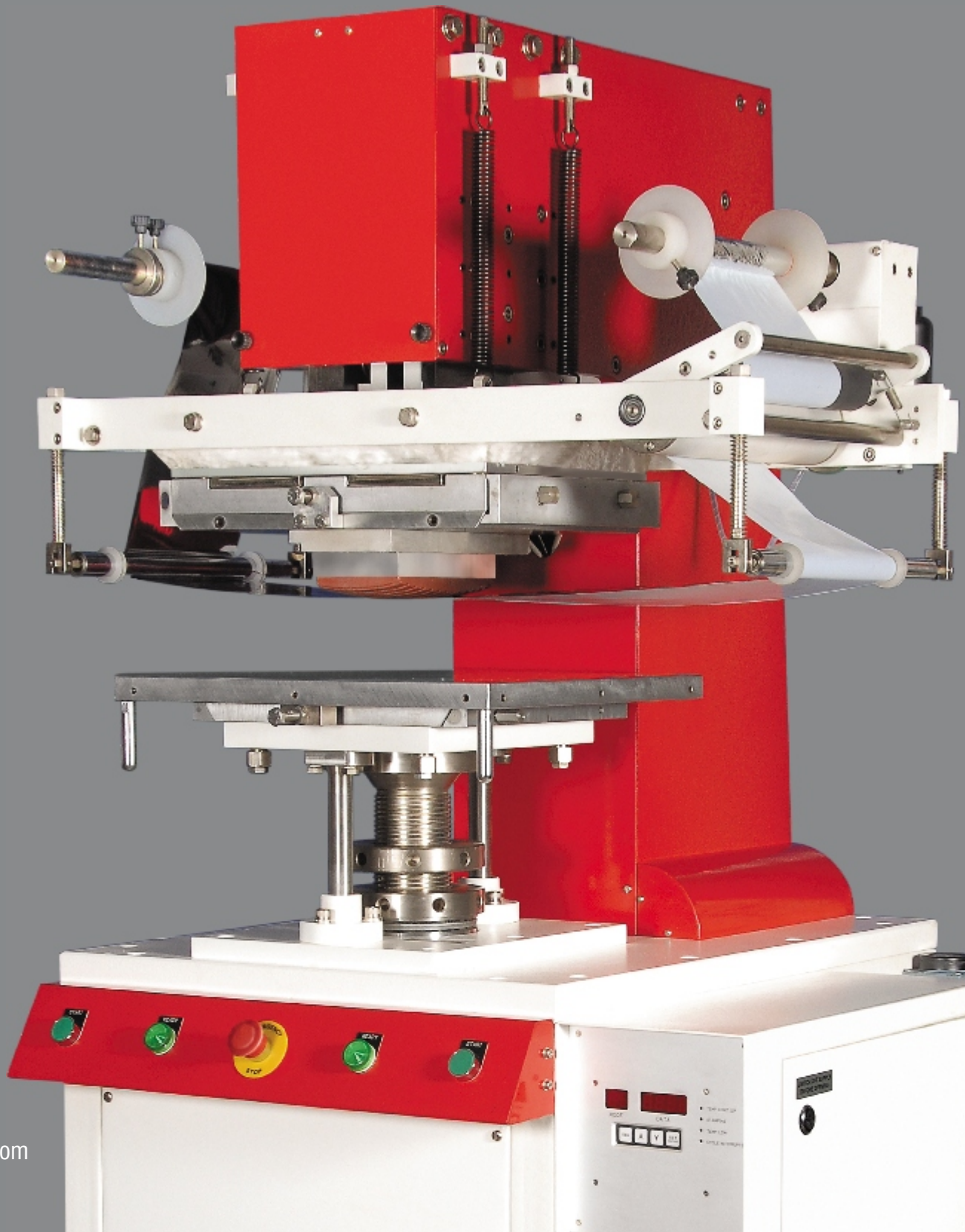


Hot Foil Stamping Machine  
**STM-5000-F**



# Hot foil stamping machine

## STM-5000-F

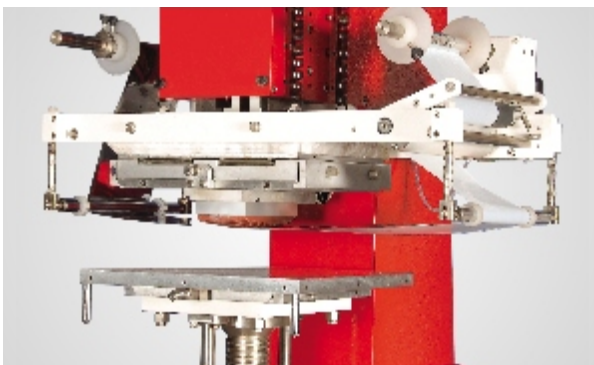
### Features

- Suitable for stamping and embossing on paper products & stamping on large plastic articles
- State-of-the-art controller - ensures precise parameter control
- Hydraulically operated machine with unique toggle mechanism - delivers high stamping force with low power consumption
- Dual dove tail guides for stamping plate UP-DOWN movement - offers excellent positional repeatability.
- Digital settings for stamping parameters - Precise parameter control hence proper stamping
- Easy levelling of work table - ensures uniform stamping force across complete stamping area
- Powder coated / Electroless Nickel / Hard chrome plated machine parts - prevents corrosion & enhances machine life
- Dual 'START' button operation for operator's safety
- Jumping foil feed system - offers enormous foil saving

### Technical Specifications

- Stamping Plate size : 300 x 350 mm
- Stamping Force : 5000 kgf
- Table Size : 400 x 450 mm
- Job Height : 100 mm. Max
- Heaters : 1000W X 2 Nos.
- Foil width : 10-300 mm
- Power : 3.2 KW, 3 Phase, 415V AC, 50Hz
- Speed\* : Up to 15 Strokes / min
- Dimensions : 1000 mm x 1000 mm x 1900 mm height

\*Depends on selected optional attachments & articles.  
Due to continual improvements specifications and features are subject to change without notice.

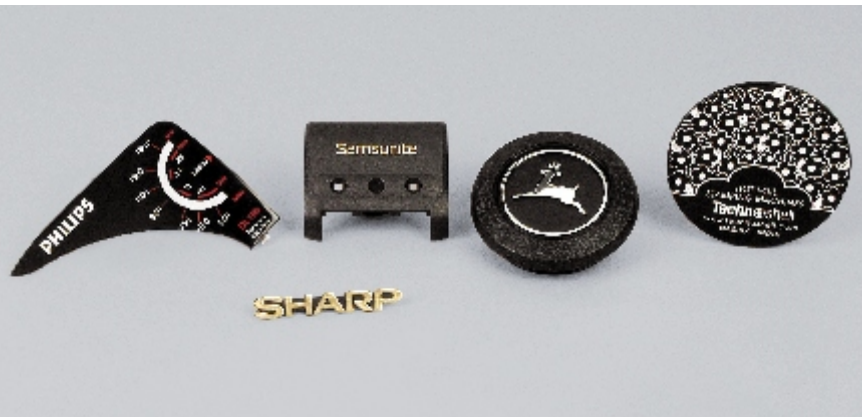


### Options

- Black mark sensor
- Conformity to CE norms
- Single phase power operation instead of 3 phase power

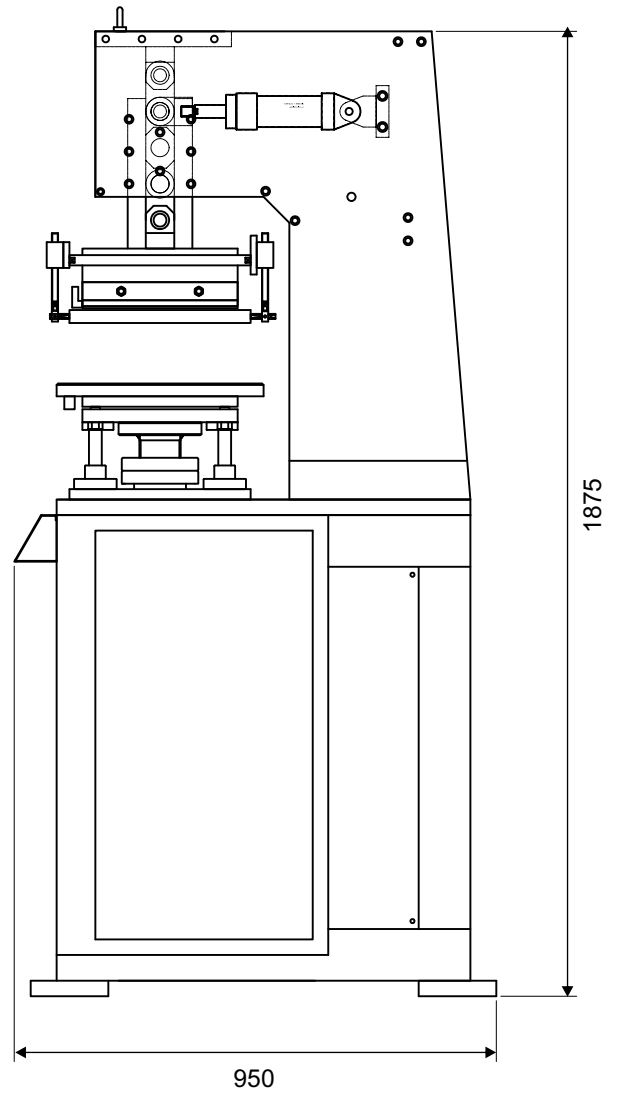
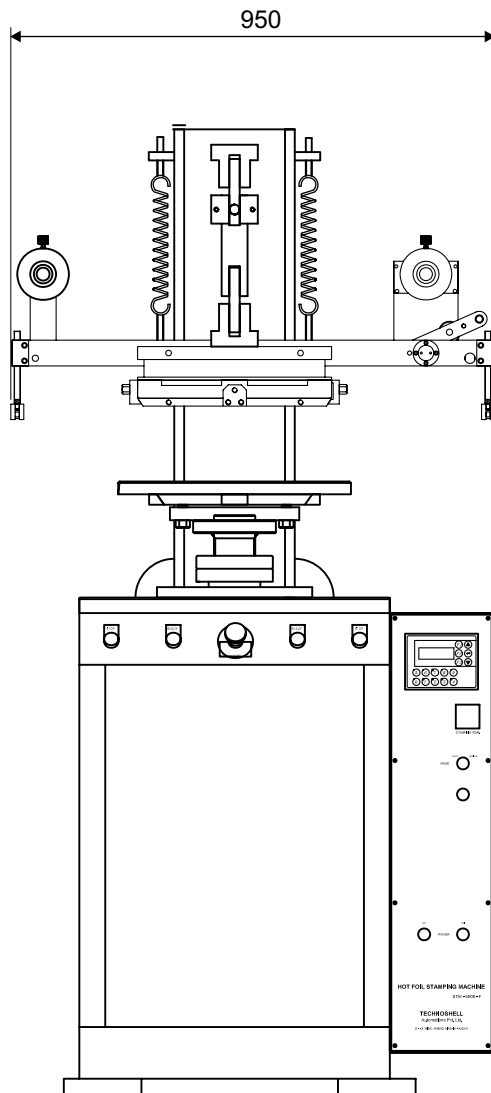
## Applications

- Suitable for large area stamping
- Music system front panel
- Book covers
- Leather purses
- Embossing
- Stationery items
- Clock dials
- Wedding cards
- Packing boxes & cartons
- Kiss cut stickers with border stamping



Label graphics shown under application heading are the property and trade mark of the respective brands.

Layout :



G - 49, M.I.D.C., Ambad, Nashik - 422010. INDIA  
Ph.: 0091-253-2383049, 6605611. Fax: 2381474  
Email: info@technoshell.com URL: www.technoshell.com